

Rev	Date	Description

ALL DIMENSIONS IN (mm)  
UNLESS OTHERWISE SPECIFIED  
BREAK ALL SHARP EDGES

TOLERANCES  
(BEFORE PAINTING  
& AFTER PLATING)  
X ± 1.00  
X.X ± 0.50  
X.XX ± 0.10  
ANGLES ± 0.5°

A01- RENDER

CLIENT: RFA

PROJ. NO.: TBA

PART NO.: --

Revision --

Page 1

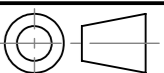
630mm (W) x 1515mm (H) GONDOLA END PANEL  
GONDOLA END PANEL - PERFORATED  
(PEARL WHITE)

PRODUCT CODE: **RFA1052**

Date: 2/11/2022

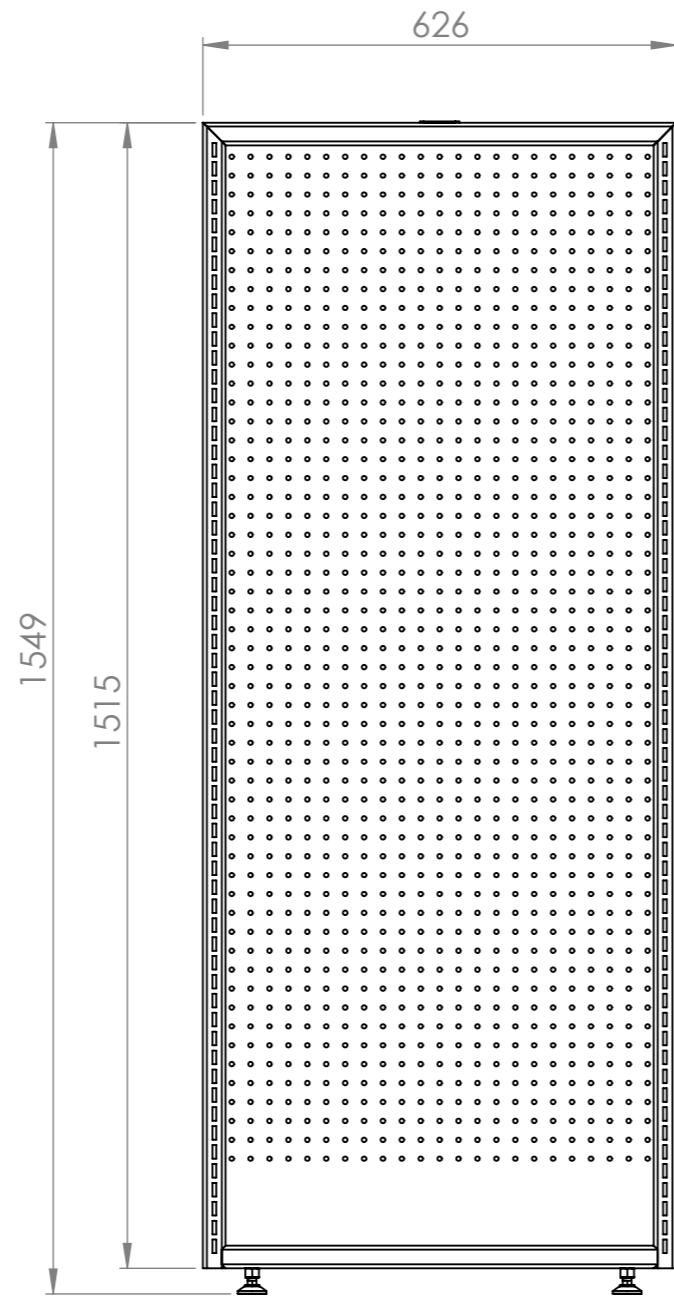
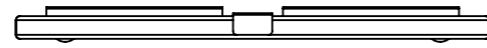
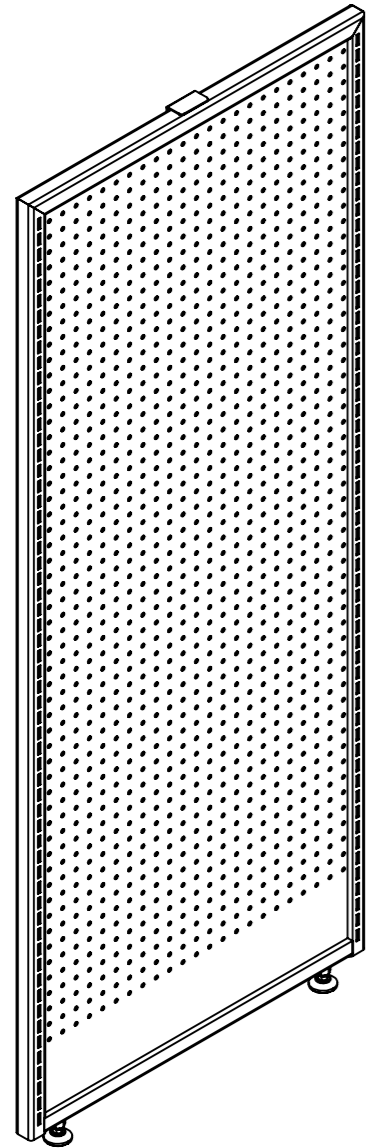
Drawn by PS

Checked by --

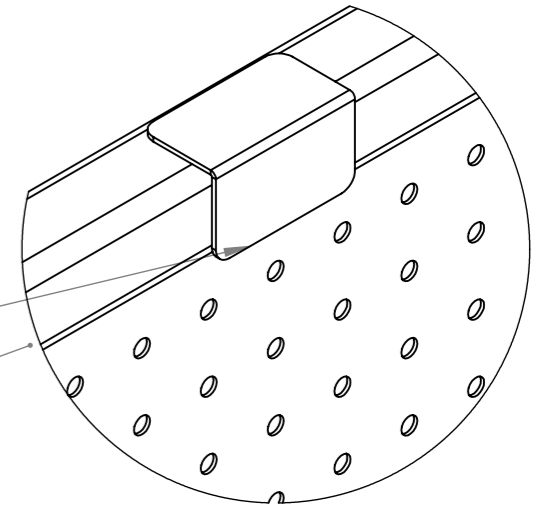


DO NOT SCALE

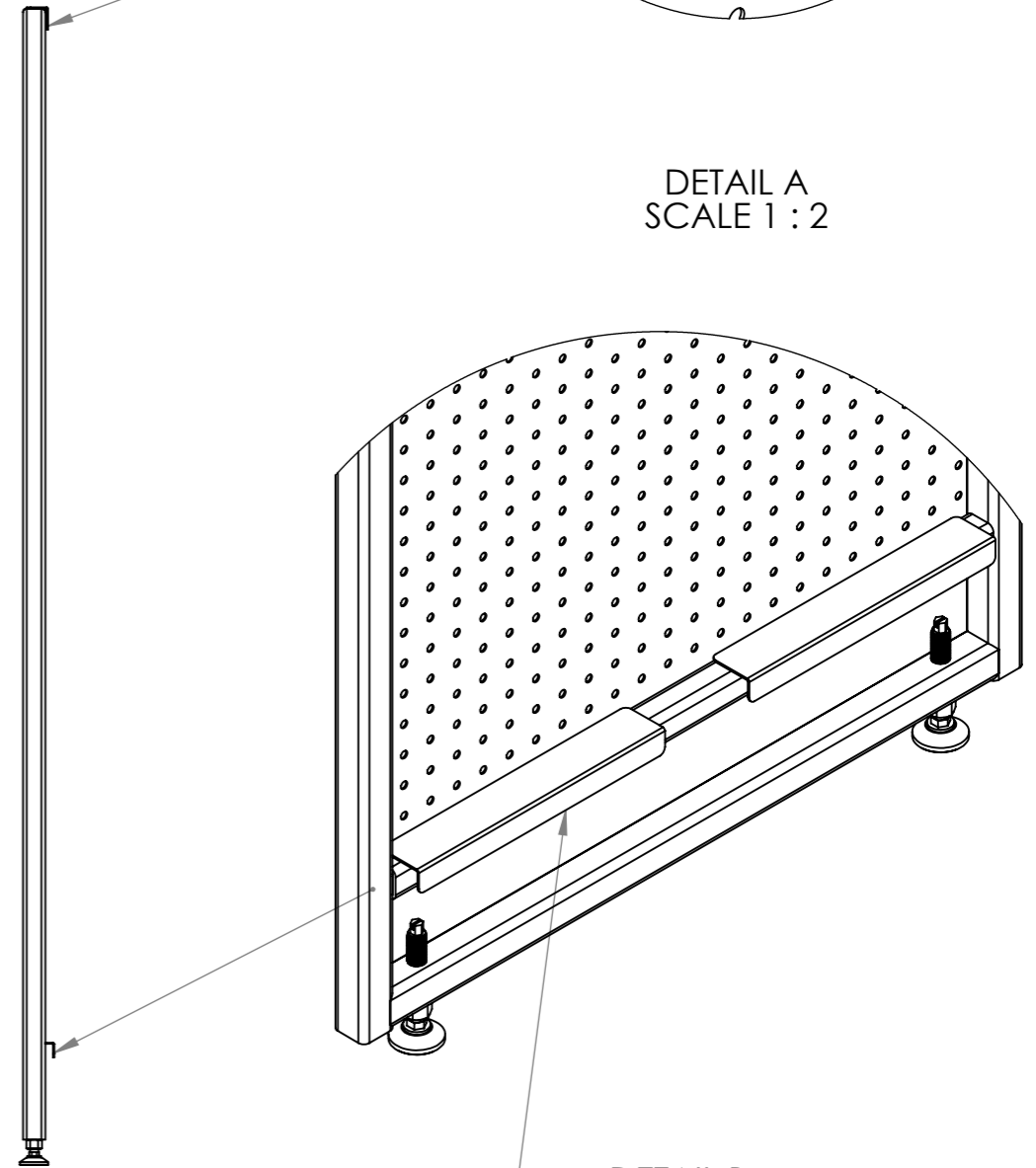
Scale@A3 1:10



LOCKS INSIDE OF THE TOP OF THE GONDOLA POST



DETAIL A  
SCALE 1 : 2



LOCKS INTO THE U-CHANNEL OF THE GONDOLA POST

DETAIL B  
SCALE 1 : 5

Rev	Date	Description

ALL DIMENSIONS IN (mm)  
UNLESS OTHERWISE SPECIFIED  
BREAK ALL SHARP EDGES

TOLERANCES  
(BEFORE PAINTING  
& AFTER PLATING)  
X ± 1.00  
X.X ± 0.50  
X.XX ± 0.10  
ANGLES ± 0.5°

**A03- DIMENSIONS**

CLIENT: RFA  
PROJ. NO.: TBA  
PART NO.: --  
Revision --  
Page 3

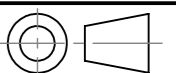
630mm (W) x 1515mm (H) GONDOLA END PANEL  
GONDOLA END PANEL - PERFORATED

PRODUCT CODE: **RFA1052/1089**

Date: 2/11/2022

Drawn by PS

Checked by --



DO NOT SCALE

Scale@A3 1:10