

FINISH: P/C MATTE BLACK

AP ASSOCIATED PROJECTS COMMERCIAL BUILDERS,
PROJECT MANAGERS,
PLANNERS & DESIGNERS

T 03 8787 3000 F 03 8787 3025
48-58 Cyber Loop, Dandenong South VIC 3175

Rev	Date	Description

ALL DIMENSIONS IN (mm)
UNLESS OTHERWISE SPECIFIED
BREAK ALL SHARP EDGES

TOLERANCES
(BEFORE PAINTING
& AFTER PLATING)
X ± 1.00
X.X ± 0.50
X.XX ± 0.10
ANGLES ± 0.5°

A01- RENDER

CLIENT: RFA

PROJ. NO.: TBA

PART NO.: --

Revision --

Page 1

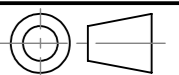
RETAIL POD GONDOLA
W1200 x H1375 x D450

PRODUCT CODE: **RFA2101**

Date: 1/02/2024

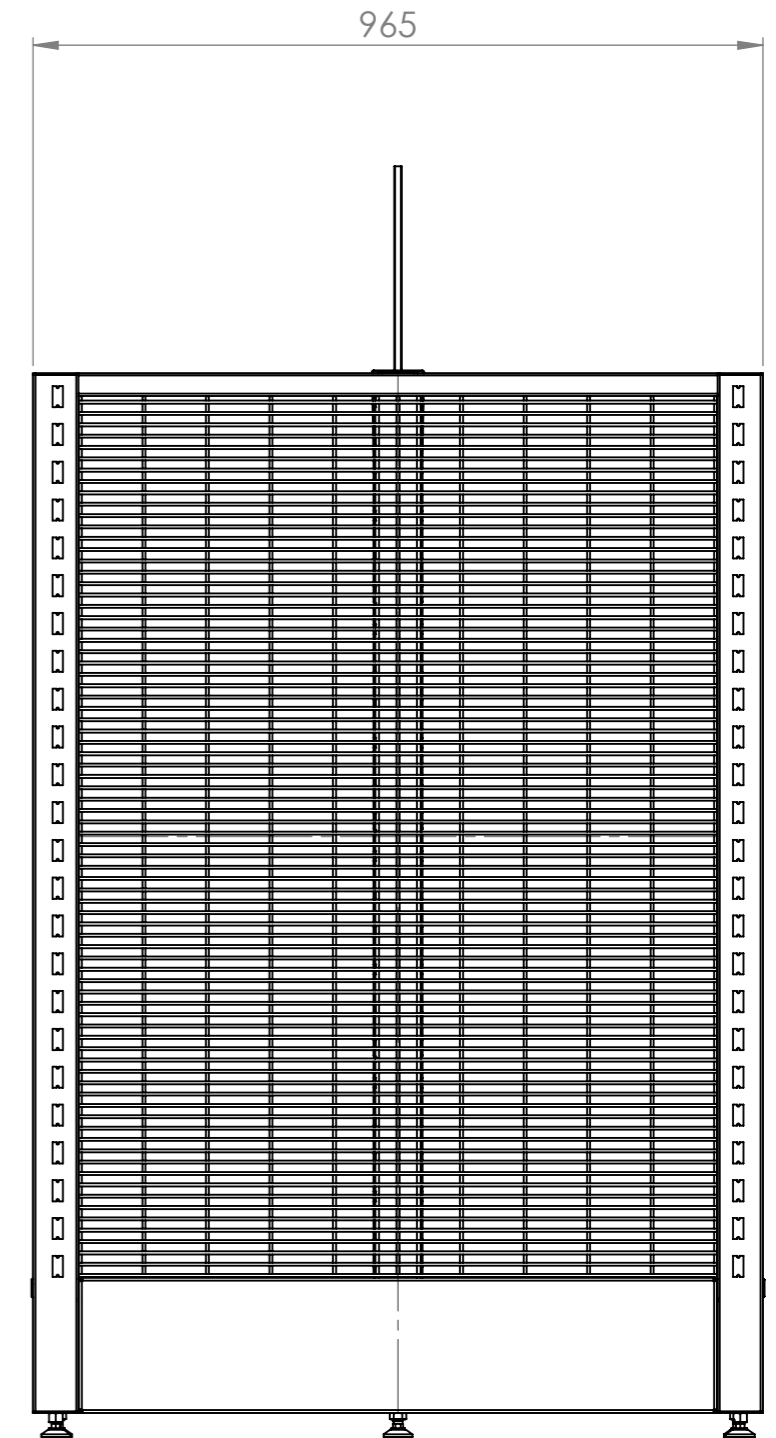
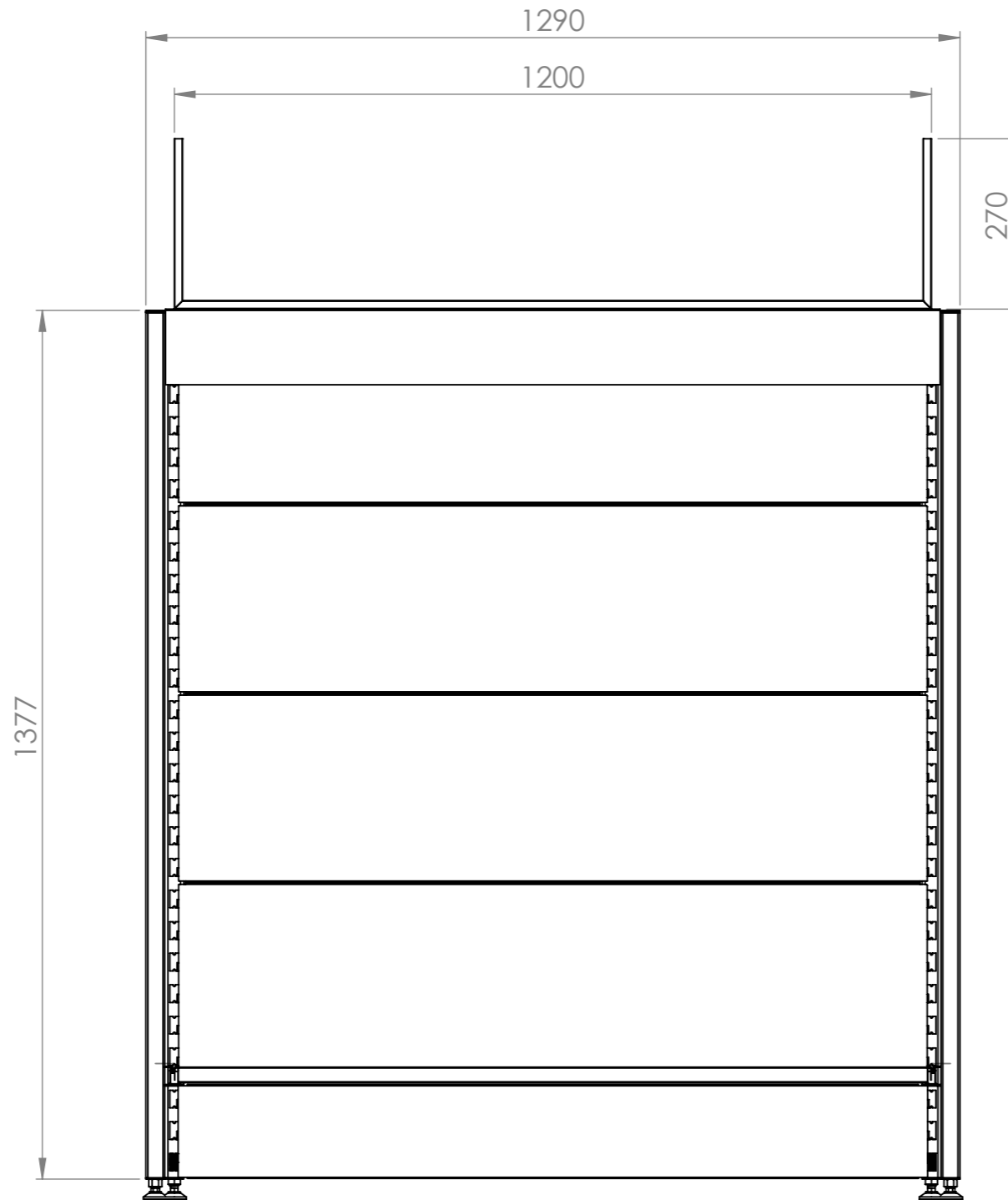
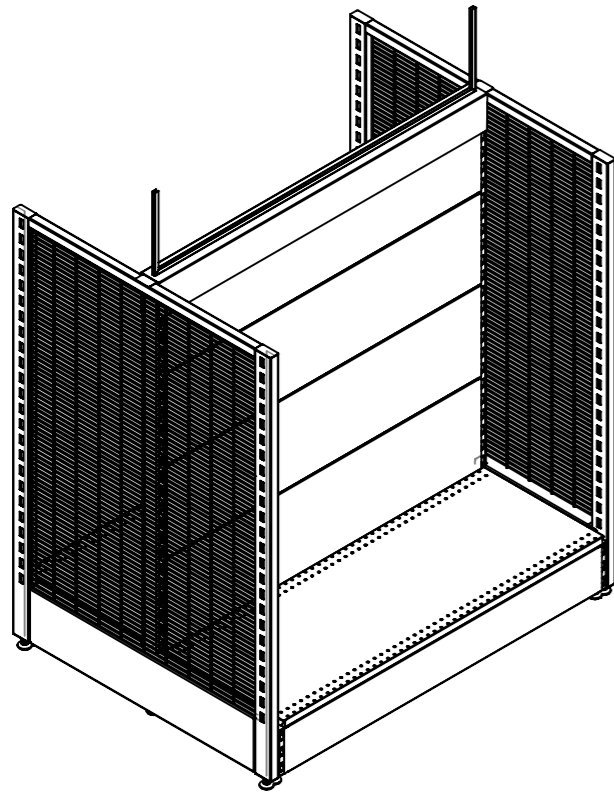
Drawn by PS

Checked by --



DO NOT SCALE

Scale@A3 1:20



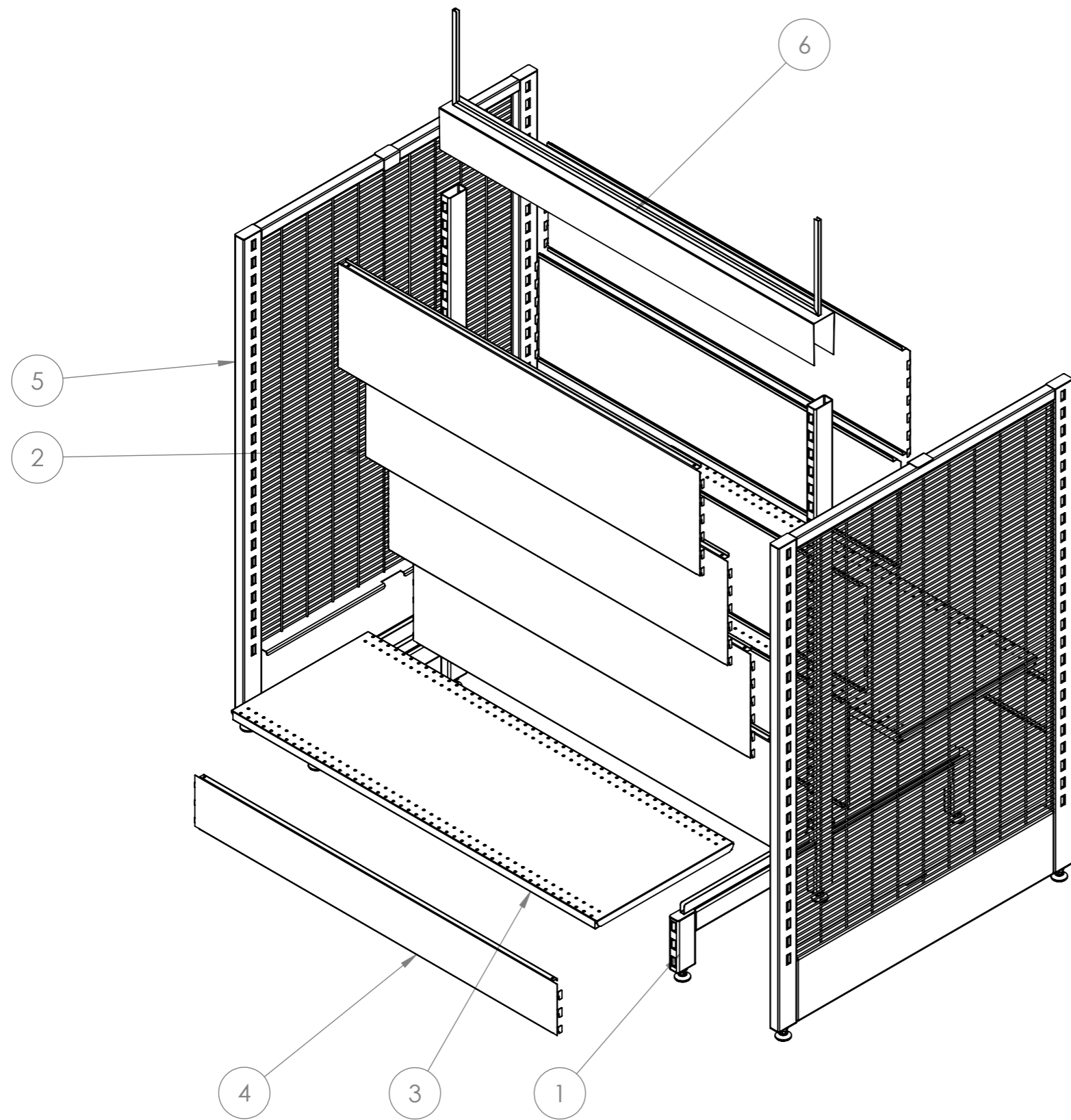
Rev	Date	Description

ALL DIMENSIONS IN (mm)
UNLESS OTHERWISE SPECIFIED
BREAK ALL SHARP EDGES

TOLERANCES
(BEFORE PAINTING
& AFTER PLATING)
X ± 1.00
X.X ± 0.50
X.XX ± 0.10
ANGLES ± 0.5°

A02- DIMENSIONS
CLIENT: RFA
PROJ. NO.: TBA
PART NO.: --
Revision --
Page 2

RETAIL POD GONDOLA W1200 x H1375 x D450		
PRODUCT CODE: RFA2101		
Date:	1/02/2024	DO NOT SCALE
Drawn by	PS	
Checked by	--	
		Scale@A3 1:10



ITEM NO.	PartNo	DESCRIPTION	QTY.
1	RFA2330	POST-GONDOLA- DOUBLE SIDED	2
2	RFA2314	CLIP IN PANEL - W1200XH300 - NON PERFORATED	8
3	RFA0414	SHELF	2
4	RFA2323	SKIRT	2
5	RFA2342	END FRAME WITH WIRE MESH	2
6	RFA2341	TOP CAP	1

Rev	Date	Description

ALL DIMENSIONS IN (mm)
UNLESS OTHERWISE SPECIFIED
BREAK ALL SHARP EDGES

TOLERANCES
(BEFORE PAINTING
& AFTER PLATING)
X ± 1.00
X.X ± 0.50
X.XX ± 0.10
ANGLES ± 0.5°

A03- EXPLODED

CLIENT: RFA
PROJ. NO.: TBA
PART NO.: --
Revision --
Page 3

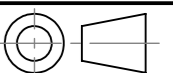
RETAIL POD GONDOLA
W1200 x H1375 x D450

PRODUCT CODE: **RFA2101**

Date: 1/02/2024

Drawn by PS

Checked by --



DO NOT SCALE

Scale@A3 1:10