

FINISH: P/C MATTE BLACK

AP ASSOCIATED PROJECTS COMMERCIAL BUILDERS,
PROJECT MANAGERS,
PLANNERS & DESIGNERS

T 03 8787 3000 F 03 8787 3025
48-58 Cyber Loop, Dandenong South VIC 3175

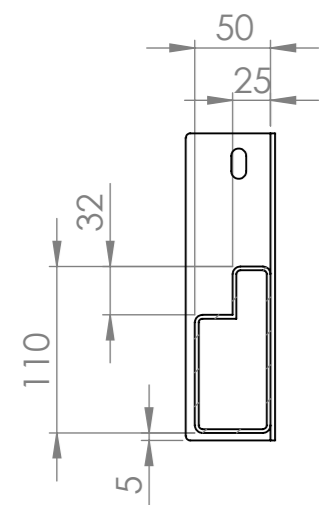
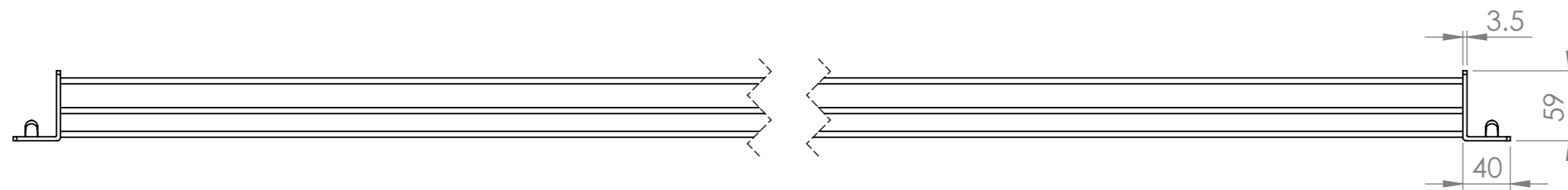
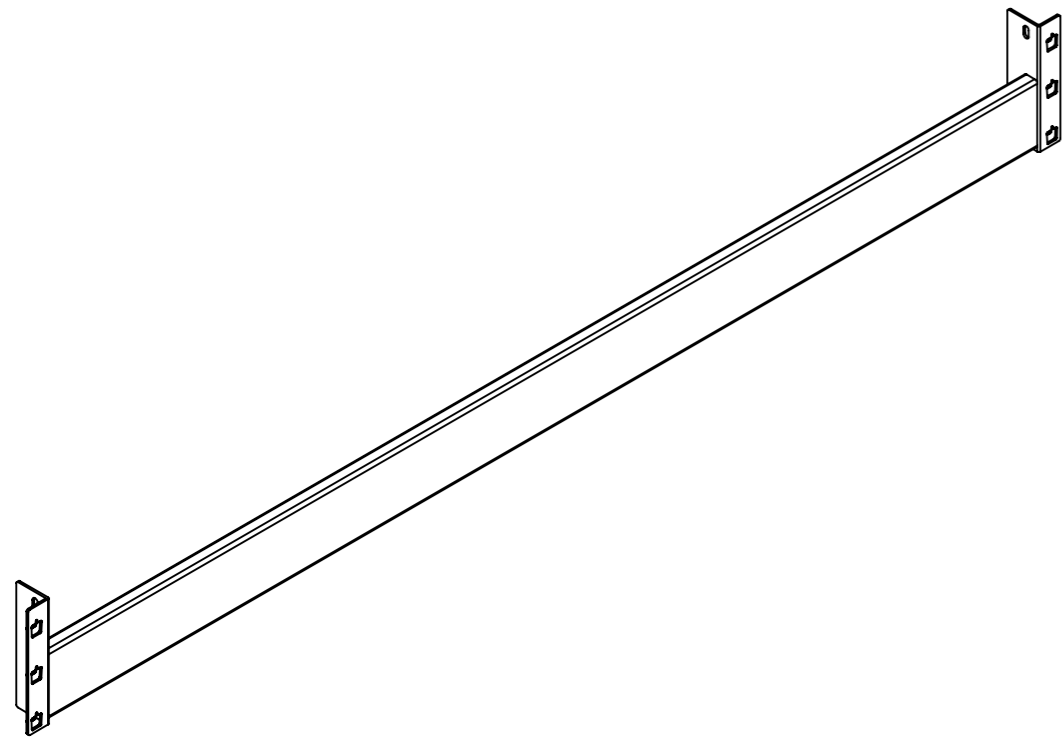
Rev	Date	Description

ALL DIMENSIONS IN (mm)
UNLESS OTHERWISE SPECIFIED
BREAK ALL SHARP EDGES

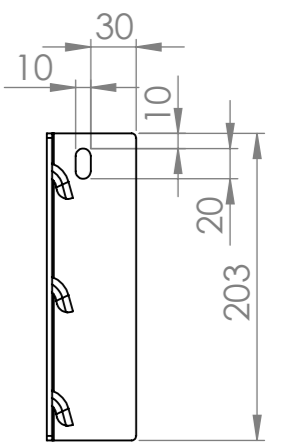
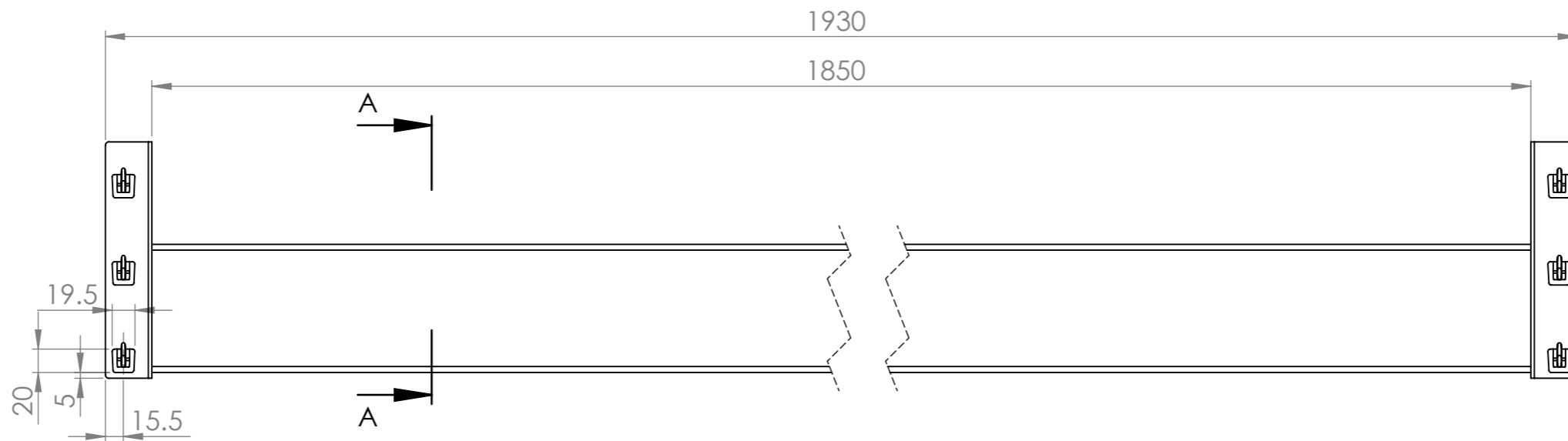
TOLERANCES
(BEFORE PAINTING
& AFTER PLATING)
X ± 1.00
X.X ± 0.50
X.XX ± 0.10
ANGLES ± 0.5°

A01- RENDER
CLIENT: RFA
PROJ. NO.: TBA
PART NO.: --
Revision --
Page 1

1860mm(W) x 110mm(H) x 50mm(D) REVERS LUG STEP BEAM - 1.5 TONNE CAPACITY		
-		
PRODUCT CODE: RFA6034		DO NOT SCALE Scale@A3 1:10
Date:	13/09/2023	
Drawn by	PS	
Checked by	--	



SECTION A-A



Rev	Date	Description

ALL DIMENSIONS IN (mm)
UNLESS OTHERWISE SPECIFIED
BREAK ALL SHARP EDGES

TOLERANCES
(BEFORE PAINTING
& AFTER PLATING)
X ± 1.00
X.X ± 0.50
X.XX ± 0.10
ANGLES ± 0.5°

A02- DIMENSIONS

CLIENT: RFA
PROJ. NO.: TBA
PART NO.: --
Revision --
Page 2

1860mm(W) x 110mm(H) x 50mm(D)
REVERS LUG STEP BEAM - 1.5 TONNE CAPACITY

PRODUCT CODE: RFA6043		
Date: 13/09/2023	DO NOT SCALE	
Drawn by PS	Checked by --	Scale@A3 1:5