

**FINISH: P/C MATTE BLACK**

**AP ASSOCIATED PROJECTS** COMMERCIAL BUILDERS,  
PROJECT MANAGERS,  
PLANNERS & DESIGNERS

T 03 8787 3000 F 03 8787 3025  
48-58 Cyber Loop, Dandenong South VIC 3175

Rev	Date	Description

ALL DIMENSIONS IN (mm)  
UNLESS OTHERWISE SPECIFIED  
BREAK ALL SHARP EDGES

TOLERANCES  
(BEFORE PAINTING  
& AFTER PLATING)  
X ± 1.00  
X.X ± 0.50  
X.XX ± 0.10  
ANGLES ± 0.5°

**A01- RENDER**

**CLIENT: RFA**

**PROJ. NO.: TBA**

**PART NO.: --**

**Revision --**

**Page 1**

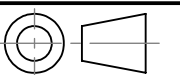
**4000mm(H) x 1067mm(D)**  
**HEAVY DUTY PALLET FRAME**

**PRODUCT CODE: RFA6047**

Date: 27/09/2023

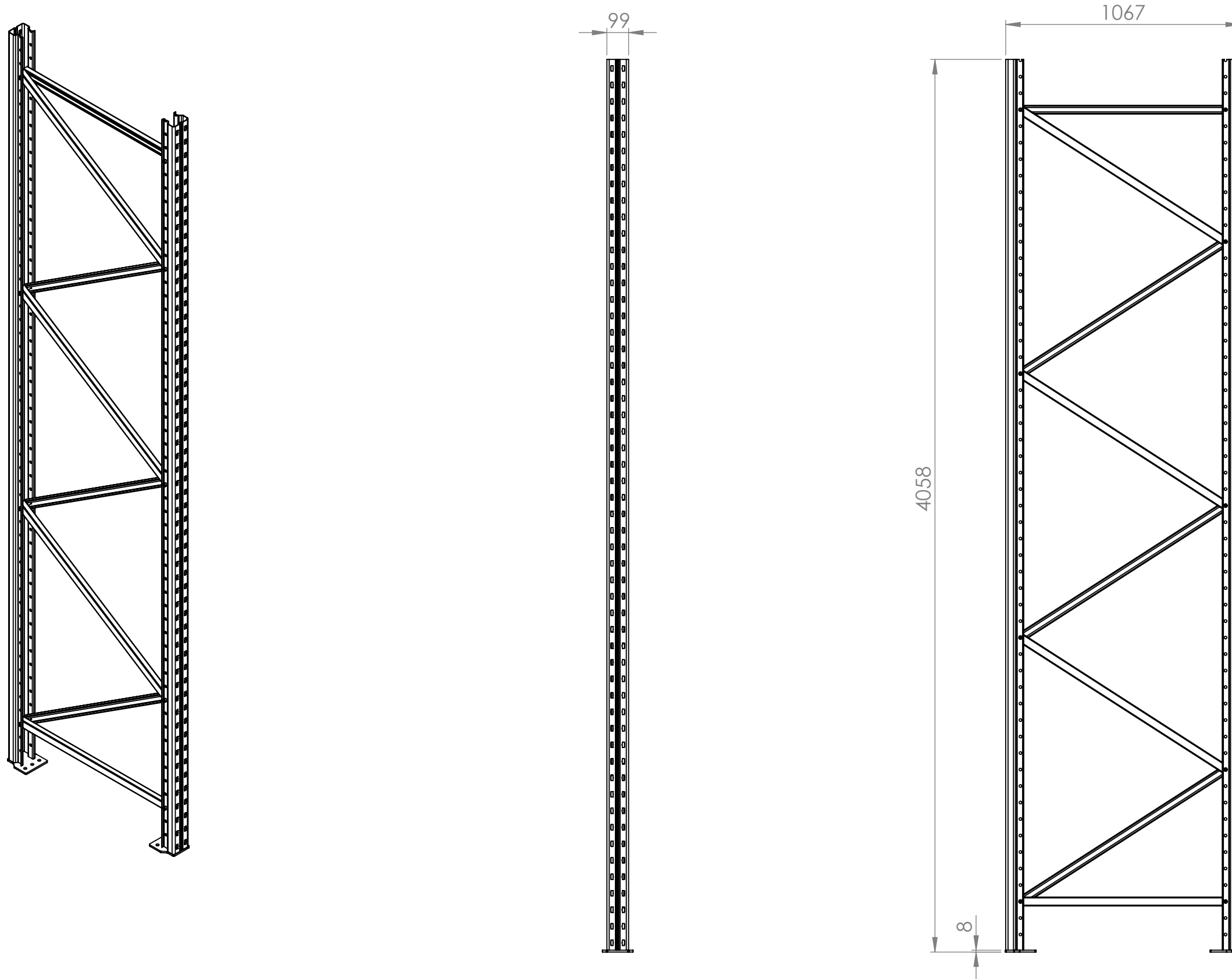
Drawn by PS

Checked by --



DO NOT SCALE

Scale@A3 1:20



Rev	Date	Description

ALL DIMENSIONS IN (mm)  
UNLESS OTHERWISE SPECIFIED  
BREAK ALL SHARP EDGES

TOLERANCES  
(BEFORE PAINTING  
& AFTER PLATING)  
X ± 1.00  
X.X ± 0.50  
X.XX ± 0.10  
ANGLES ± 0.5°

**A02- DIMENSIONS**

CLIENT: RFA  
PROJ. NO.: TBA  
PART NO.: --  
Revision --  
Page 2

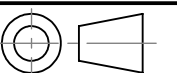
4000mm(W) x 1067mm(D)  
HEAVY DUTY PALLET FRAME

PRODUCT CODE: **RFA6047**

Date: 27/09/2023

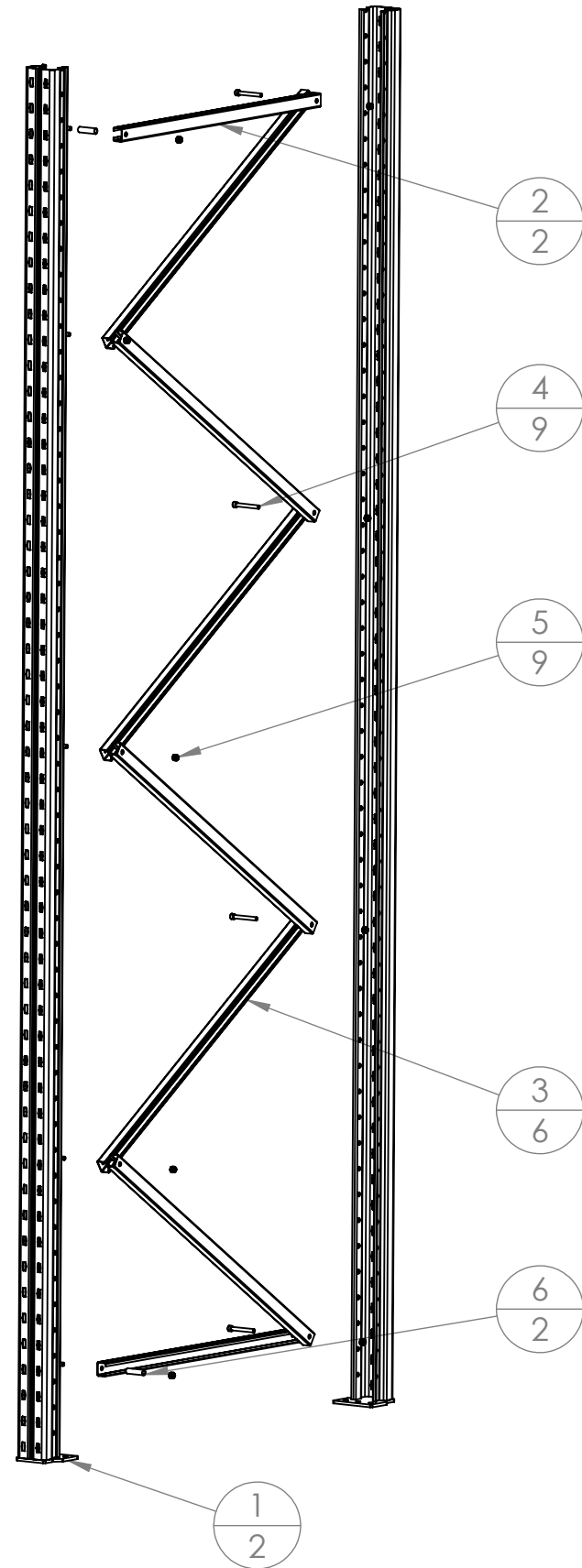
Drawn by PS

Checked by --



DO NOT SCALE

Scale@A3 1:20



ITEM NO.	PartNo	DESCRIPTION	QTY.
1	RFA6141	4050H HEAVY DUTY PALLET POST UPRIGHT	2
2	RFA6144	1067mm(D) HEAVY DUTY HORIZONTAL BRACE	2
3	RFA6145	1067mm(D) HEAVY DUTY DIAGONAL BRACE	6
4		M10x80mm SHC BOLT	9
5		M10 NUT	9
6	RFA6149	SPACER FOR M10 BOLT	2

Rev	Date	Description

ALL DIMENSIONS IN (mm)  
UNLESS OTHERWISE SPECIFIED  
BREAK ALL SHARP EDGES

TOLERANCES  
(BEFORE PAINTING  
& AFTER PLATING)  
X ± 1.00  
X.X ± 0.50  
X.XX ± 0.10  
ANGLES ± 0.5°

A03- EXPLODED

CLIENT: RFA

PROJ. NO.: TBA

PART NO.: --

Revision --

Page 3

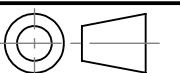
4000mm(H) x 1067mm(D)  
HEAVY DUTY PALLET FRAME

PRODUCT CODE: **RFA6047**

Date: 27/09/2023

Drawn by PS

Checked by --



DO NOT SCALE

Scale@A3 1:20